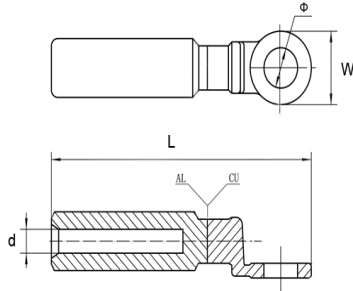


Bimetallic Compression Lugs and Joints



Bimetallic Al/Cu Compression Cable Lugs

Features

- Friction welding
- Manufactured according to EDF HN68S90
- Greased and Capped

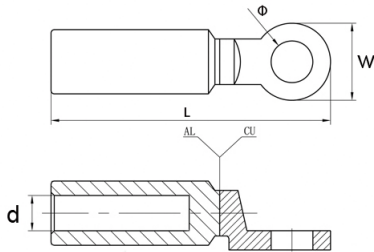
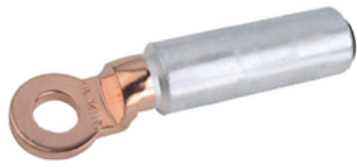
Material:

- E-Cu, Al

Surface:

- Bright

Part No.	Item	Cross Section mm ²	Size of Bolt Φ	Dimension(mm)		
				d	W	L
A050101	C0AU-16	16	M 10	5.5	21.0	85.0
A050102	C0AU-25	25	M 10	6.5	21.0	85.0
A050103	C0AU-35	35	M 10	8.0	21.0	85.0
A050104	C1AU-50	50	M 12	9.0	25.6	90.0
A050105	C1AU-70	70	M 12	11.0	25.6	90.0
A050106	C1AU-95	95	M 12	12.5	25.6	90.0
A050107	C2AU-120	120	M 12	13.7	25.6	115.0
A050108	C2AU-150	150	M 12	15.5	30.0	115.0
A050109	C4AU-185	185	M 12	17.0	30.0	115.0
A050110	C4AU-240	240	M 12	19.5	30.0	115.0
A050111	C5AU-300	300	M 16	23.3	35.0	160.0
A050112	C5AU-400	400	M 16	26.0	35.0	160.0
A050113	C6AU-500	500	M 16	29.1	60.0	200.0
A050114	C6AU-630	630	M 16	32.5	60.0	200.0



Bimetallic Al/Cu Compression Cable Lugs

Features

- Friction welding
- Greased and Capped

Material:

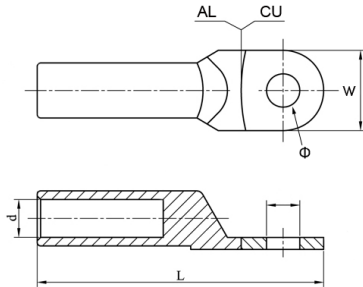
- E-Cu, Al

Surface:

- Bright

*Also available for other size of bolt.

Part No.	Item	Cross Section mm ²	Size of Bolt Φ"	Dimension(mm)		
				d	W	L
A050501	BL 16-10	16	M 10	5.5	20.0	82.0
A050502	BL 25-10	25	M 10	6.5	20.0	82.0
A050503	BL 35-10	35	M 10	8.0	20.0	82.0
A050504	BL 50-12	50	M 12	9.0	24.0	88.0
A050505	BL 70-12	70	M 12	11.0	24.0	88.0
A050506	BL 95-12	95	M 12	12.5	24.0	88.0
A050507	BL 120-12	120	M 12	13.5	30.0	111.0
A050508	BL 150-12	150	M 12	15.5	30.0	111.0
A050509	BL 185-12	185	M 12	17.5	35.0	121.0
A050510	BL 240-12	240	M 12	19.5	35.0	121.0
A050511	BL 300-12	300	M 12	22.5	36.0	135.0
A050512	BL 400-12	400	M 12	26.0	36.0	150.0



Bimetallic Al/Cu Compression Cable Lugs

Features

- Friction welding

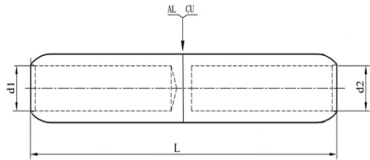
Material

- E-Cu, Al

Surface

- Bright

Part No.	ITEM	Cross Section mm ²	Size of Bolt Φ"	Dimension(mm)		
				d	B	L
A050701	DTL 10-8	10	M 8	5.0	16	64
A050702	DTL 16-8	16	M 8	5.5	16	70
A050703	DTL 25-8	25	M 8	7.0	18	75
A050704	DTL 35-10	35	M 10	8.5	20	85
A050705	DTL 50-10	50	M 10	9.5	23	90
A050706	DTL 70-12	70	M 12	12.0	26	102
A050707	DTL 95-12	95	M 12	13.0	28	112
A050708	DTL 120-14	120	M 14	15.0	30	120
A050709	DTL 150-14	150	M 14	16.0	34	126
A050710	DTL 185-16	185	M 16	18.0	37	133
A050711	DTL 240-16	240	M 16	20.0	40	140
A050712	DTL 300-18	300	M 20	23.0	45	165
A050713	DTL 400-20	400	M 20	26.0	52	170
A050714	DTL 500-20	500	M 20	29.0	60	190
A050715	DTL 630	630	-	34.0	78	245
A050716	DTL 800	800	-	38.0	100	270



Bimetallic Al/Cu Compression Joints

Features

- Friction welding
- Manufactured according to EDF HN 68 S 90

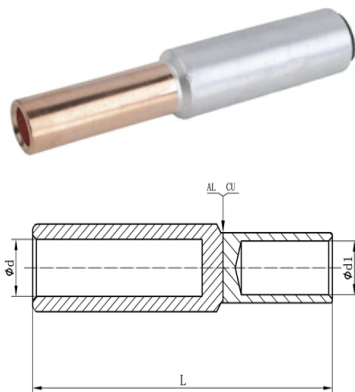
Material

- E-Cu, Al

Surface

- Bright

Part No.	Item	Cross Section Al/Cu mm ²	Dimension(mm)		
			d1	d2	L
A060101	RJAU-16/16	16/16	6.0	6.0	91.0
A060102	RJAU-25/16	25/16	7.0	6.0	91.0
A060103	RJAU-25/25	25/25	8.0	7.5	91.0
A060104	RJAU-35/16	35/16	8.5	6.0	107.0
A060105	RJAU-35/25	35/25	8.5	7.0	107.0
A060106	RJAU-35/35	35/35	8.5	8.5	107.0
A060107	RJAU-50/25	50/25	9.7	7.0	107.0
A060108	RJAU-50/35	50/35	9.7	8.5	107.0
A060109	RJAU-50/50	50/50	9.7	9.7	107.0
A060110	RJAU-70/35	70/35	11.5	8.5	107.0
A060111	RJAU-70/50	70/50	11.5	9.7	107.0
A060112	RJAU-70/70	70/70	11.5	11.5	107.0
A060113	RJAU-95/35	95/35	13.5	8.5	107.0
A060114	RJAU-95/50	95/50	13.5	9.7	107.0
A060115	RJAU-95/70	95/70	13.5	11.5	133.0
A060116	RJAU-95/95	95/95	13.5	13.5	133.0
A060117	RJAU-120/50	120/50	15.0	9.7	133.0
A060118	RJAU-120/70	120/70	15.0	11.5	133.0
A060119	RJAU-120/95	120/95	15.0	13.5	133.0
A060120	RJAU-120/120	120/120	15.0	15.0	133.0
A060121	RJAU-150/50	150/50	16.5	9.7	133.0
A060122	RJAU-150/70	150/70	16.5	11.5	133.0
A060123	RJAU-150/95	150/95	16.5	13.5	133.0
A060124	RJAU-150/120	150/120	16.5	15.0	133.0
A060125	RJAU-150/150	150/150	16.5	16.5	133.0
A060126	RJAU-185/95	185/95	18.5	13.5	143.5
A060127	RJAU-185/120	185/120	18.5	15.0	143.5
A060128	RJAU-185/150	185/150	18.5	16.5	143.5
A060129	RJAU-185/185	185/185	18.5	18.5	143.5
A060130	RJAU-240/150	240/150	21.0	16.5	143.5
A060131	RJAU-240/185	240/185	21.0	18.5	143.5
A060132	RJAU-240/240	240/240	21.0	21.0	143.5
A060133	RJAU-300/240	300/240	23.0	21.0	180.0
A060134	RJAU-300/300	300/300	23.0	23.0	180.0



Bimetallic Al/Cu Compression Joints

Features

- Friction welding

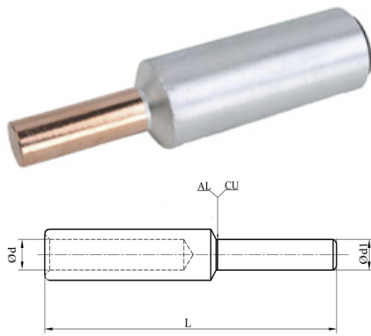
Material

- E-Cu, Al

Surface

- Bright

Part No.	Item	Cross Section mm ²		Dimension(mm)		
		AL	Cu	d	d1	L
A060201	GTL-AL25/Cu10	25	10	6.4	4.5	66.5
A060202	GTL-AL25/Cu16	25	16	6.4	5.5	72.5
A060203	GTL-AL35/Cu16	35	16	8.5	5.5	72.5
A060204	GTL-AL35/Cu25	35	25	8.5	7.0	72.5
A060205	GTL-AL50/Cu25	50	25	9.4	7.0	75.0
A060206	GTL-AL50/Cu35	50	35	9.4	8.2	75.0
A060207	GTL-AL70/Cu35	70	35	10.9	8.2	75.0
A060208	GTL-AL70/Cu50	70	50	10.9	10.0	81.0
A060209	GTL-AL95/Cu50	95	50	12.4	10.0	81.0
A060210	GTL-AL95/Cu70	95	70	12.4	11.5	83.0
A060211	GTL-AL120/Cu70	120	70	13.7	11.5	99.0
A060212	GTL-AL120/Cu95	120	95	13.7	13.5	107.0
A060213	GTL-AL150/Cu95	150	95	15.5	13.5	107.0
A060214	GTL-AL150/Cu120	150	120	15.5	15.5	107.0
A060215	GTL-AL185/Cu120	185	120	17.0	15.5	107.0
A060216	GTL-AL185/Cu150	185	150	17.0	17.0	112.0
A060217	GTL-AL240/Cu150	240	150	19.5	17.0	112.0
A060218	GTL-AL240/Cu185	240	185	19.5	19.0	115.0
A060219	GTL-AL240/Cu240	240	240	19.5	21.5	116.0
A060220	GTL-AL300/Cu185	300	185	23.2	19.0	152.5
A060221	GTL-AL300/Cu240	300	240	23.2	21.5	153.5
A060222	GTL-AL300/Cu300	300	300	23.2	24.5	159.5
A060223	GTL-AL400/Cu240	400	240	26.0	21.5	153.5
A060224	GTL-AL400/Cu300	400	300	26.0	24.5	159.5



Bimetallic Cu/Al Compression Joints

Features

- Friction welding

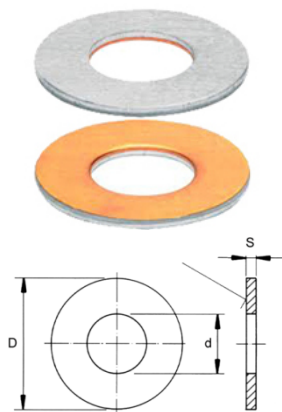
Material

- E-Cu, Al

Surface

- Bright

Part No.	Item	Cross Section mm ²	Dimension(mm)		
			d	d1	L
A060301	EAU-6	6	3.8	5.0	58.0
A060302	EAU-10	10	4.5	5.0	58.0
A060303	EAU-16	16	5.8	6.0	58.0
A060304	EAU-25	25	6.8	6.0	58.0
A060305	EAU-35	35	8.0	7.0	71.0
A060306	EAU-50	50	9.8	8.0	74.0
A060307	EAU-70	70	11.2	10.0	87.0
A060308	EAU-95	95	13.2	12.0	91.0
A060309	EAU-120	120	14.7	12.0	97.0
A060310	EAU-150	150	16.3	12.0	108.0
A060311	EAU-185	185	18.3	14.0	116.0
A060312	EAU-240	240	21.0	16.0	128.0
A060313	EAU-300	300	23.3	18.0	131.0



Bimetallic Washers

Features

- Only for use in dry areas
- Other sizes could be customized

Material

- Al, one side copper

Part No.	Item	Size of Bolt Φ	Dimension(mm)		
			D	d	S
A060401	BW-8	M 8	18	8.5	1
A060402	BW-10	M 10	22	11.0	2
A060403	BW-12	M 12	28	13.0	2
A060404	BW-14	M 14	28	15.0	2
A060405	BW-16	M 16	35	17.0	2



KINGO GLOBAL LIMITED

No.771 Dongtand Road,
Pudong New District,
Shanghai, China 200137

T : 86.21.6199 4334

F : 86.21.6129 4334

E: sales@conecteur.com

<https://www.conecteur.com>

We reserve the right to make technical changes or modify the contents of this document without prior notice.

With regard to purchase orders, the agreed particulars shall prevail. KINGO does not accept any responsibility whatsoever for potential errors or possible lack of information in this document.

We reserve all rights in this document and in the subject matter and illustrations contained herein. Any reproduction, disclosure to third parties or utilization of its contents - in whole or in part - is forbidden without prior written consent of KINGO.

© Copyright 2017 KINGO. All Rights Reserved.